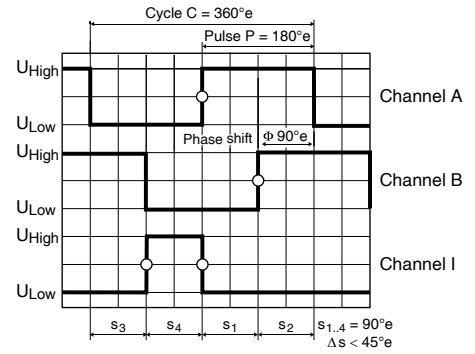
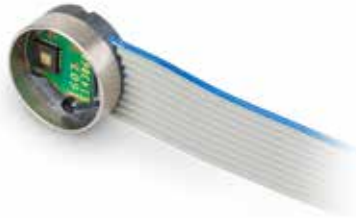
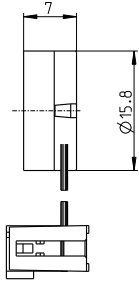


Encoder 16 RIO 1024–32768 CPT, 3 channels, with line driver RS 422



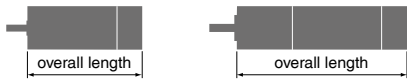
Direction of rotation cw (definition cw p. 78)

sensor

- Stock program
- Standard program
- Special program (on request)

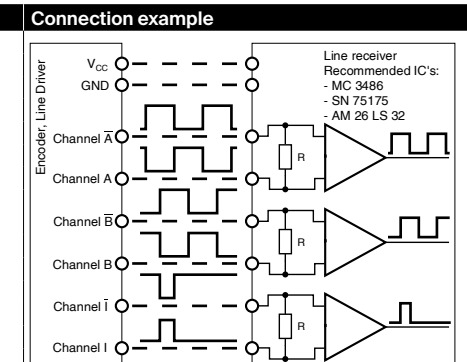
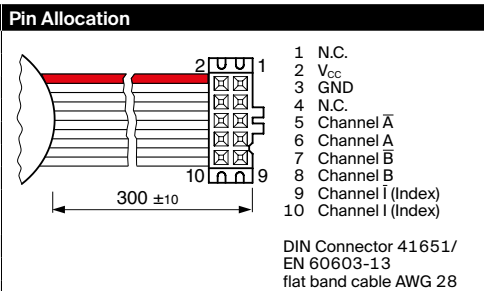
Part Numbers				
575826	575827	575828	575829	575830

Type (provisional)					
Counts per turn	1024	4096	8192	16384	32768
Number of channels	3	3	3	3	3
Max. operating frequency (kHz)	780	3125	3125	3125	3125
Max. speed (rpm)	40000	40000	20000	10000	5000
Phase shift ϕ (°e)	90+/-5	90+/-10	90+/-15	90+/-30	90+/-45
Index pulse width (°e)	90+/-5	90+/-10	90+/-15	90+/-30	90+/-45



maxon Modular System										
+ Motor	Page	+ Gearhead	Page	+ Brake	Page	Overall length [mm] / • see Gearhead				
EC-4pole 22, 90 W	257					59.3	59.3	59.3	59.3	59.3
EC-4pole 22, 90 W	257	GP 22, 2.0 - 3.4 Nm	387			•	•	•	•	•
EC-4pole 22, 90 W	257	GP 32, 1.0 - 6.0 Nm	398			•	•	•	•	•
EC-4pole 22, 90 W	257	GP 32 S	426-433			•	•	•	•	•
EC-4pole 22, 120 W	258					76.7	76.7	76.7	76.7	76.7
EC-4pole 22, 120 W	258	GP 22, 2.0 - 3.4 Nm	387			•	•	•	•	•
EC-4pole 22, 120 W	258	GP 32, 1.0 - 6.0 Nm	398			•	•	•	•	•
EC-4pole 22, 120 W	258	GP 32 S	426-433			•	•	•	•	•
EC-4pole 30, 100 W	259					59.4	59.4	59.4	59.4	59.4
EC-4pole 30, 100 W	259	GP 32, 1.0 - 6.0 Nm	398			•	•	•	•	•
EC-4pole 30, 100 W	259	GP 32, 4.0 - 8.0 Nm	400			•	•	•	•	•
EC-4pole 30, 100 W	259	GP 42, 3.0 - 15.0 Nm	406			•	•	•	•	•
EC-4pole 30, 100 W	259	GP 32 S	426-433			•	•	•	•	•
EC-4pole 30, 100 W	259			AB 20	532	95.8	95.8	95.8	95.8	95.8
EC-4pole 30, 100 W	259	GP 32, 1.0 - 6.0 Nm	398	AB 20	532	•	•	•	•	•
EC-4pole 30, 100 W	259	GP 32, 4.0 - 8.0 Nm	400	AB 20	532	•	•	•	•	•
EC-4pole 30, 100 W	259	GP 42, 3.0 - 15.0 Nm	406	AB 20	532	•	•	•	•	•
EC-4pole 30, 100 W	259	GP 32 S	426-433	AB 20	532	•	•	•	•	•
EC-4pole 30, 200 W	261					76.4	76.4	76.4	76.4	76.4
EC-4pole 30, 200 W	261	GP 32, 1.0 - 6.0 Nm	398			•	•	•	•	•
EC-4pole 30, 200 W	261	GP 32, 4.0 - 8.0 Nm	400			•	•	•	•	•
EC-4pole 30, 200 W	261	GP 42, 3.0 - 15.0 Nm	406			•	•	•	•	•
EC-4pole 30, 200 W	261	GP 32 S	426-433			•	•	•	•	•
EC-4pole 30, 200 W	261			AB 20	532	112.8	112.8	112.8	112.8	112.8
EC-4pole 30, 200 W	261	GP 32, 1.0 - 6.0 Nm	398	AB 20	532	•	•	•	•	•
EC-4pole 30, 200 W	261	GP 32, 4.0 - 8.0 Nm	400	AB 20	532	•	•	•	•	•
EC-4pole 30, 200 W	261	GP 42, 3.0 - 15.0 Nm	406	AB 20	532	•	•	•	•	•
EC-4pole 30, 200 W	261	GP 32 S	426-433	AB 20	532	•	•	•	•	•

Technical Data	
Supply voltage V_{CC}	5 V \pm 10%
Typical current draw	50 mA
Output signal	EIA Standard RS 422
Operating temperature range	-40...+100 °C
Moment of inertia of code wheel	\leq 1.2 gcm ²
Output current per channel	\pm 20 mA
Min. state duration t_s	40 ns
Signal rise and fall times (typically, at $C_L = 200$ pF, $R_L = 100$ Ω)	5 ns

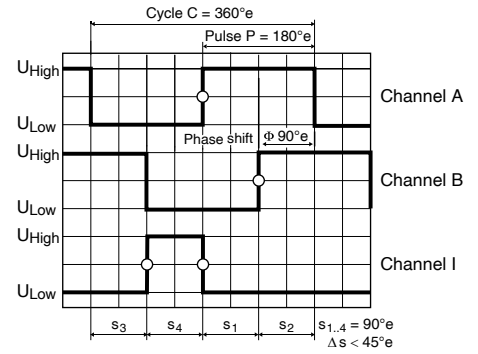
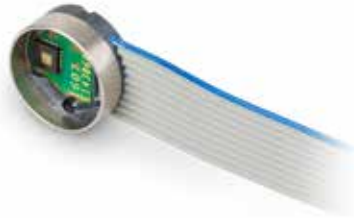
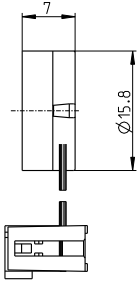


The index signal I is synchronized with channel A or B.

Opt. terminal resistance R = typical 120 Ω

Encoder 16 RIO 1024–32768 CPT, 3 channels, with line driver RS 422

sensor



Direction of rotation cw (definition cw p. 78)

- Stock program
- Standard program
- Special program (on request)

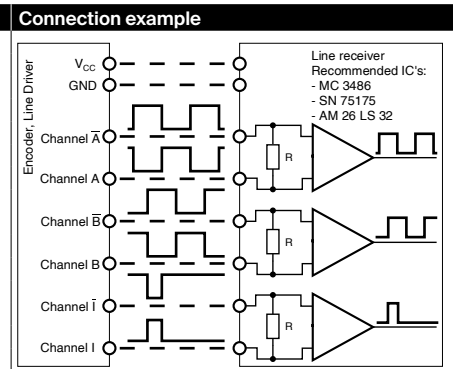
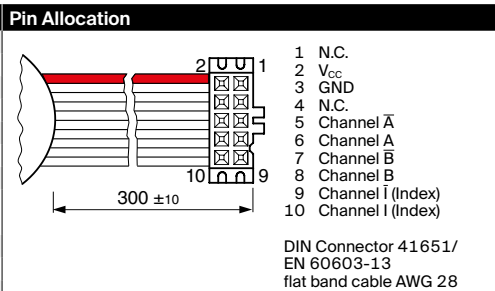
Part Numbers				
575826	575827	575828	575829	575830

Type (provisional)					
Counts per turn	1024	4096	8192	16384	32768
Number of channels	3	3	3	3	3
Max. operating frequency (kHz)	780	3125	3125	3125	3125
Max. speed (rpm)	40000	40000	20000	10000	5000
Phase shift Φ (°e)	90+/-5	90+/-10	90+/-15	90+/-30	90+/-45
Index pulse width (°e)	90+/-5	90+/-10	90+/-15	90+/-30	90+/-45



maxon Modular System						Overall length [mm] / • see Gearhead				
+ Motor	Page	+ Gearhead	Page	+ Brake	Page					
EC-i 30, 30 W	268					52.2	52.2	52.2	52.2	52.2
EC-i 30, 30 W	268	GP 32, 1.0 - 6.0 Nm	398			•	•	•	•	•
EC-i 30, 30 W	268	GP 32 S	426-433			•	•	•	•	•
EC-i 30, 45 W	269					52.2	52.2	52.2	52.2	52.2
EC-i 30, 45 W	269	GP 32, 1.0 - 6.0 Nm	398			•	•	•	•	•
EC-i 30, 45 W	269	GP 32 S	426-433			•	•	•	•	•
EC-i 30, 50 W	270					74.2	74.2	74.2	74.2	74.2
EC-i 30, 50 W	270	GP 32, 1.0 - 6.0 Nm	398			•	•	•	•	•
EC-i 30, 50 W	270	GP 32 S	426-433			•	•	•	•	•
EC-i 30, 75 W	271					74.2	74.2	74.2	74.2	74.2
EC-i 30, 75 W	271	GP 32, 1.0 - 6.0 Nm	398			•	•	•	•	•
EC-i 30, 75 W	271	GP 32 S	426-271			•	•	•	•	•
EC-i 40, 50 W	272-273					40.5	40.5	40.5	40.5	40.5
EC-i 40, 50 W	272	GP 32, 1.0 - 6.0 Nm	398			•	•	•	•	•
EC-i 40, 50 W	272	GP 32 S	426-433			•	•	•	•	•
EC-i 40, 50 W	272-273	GP 42, 3.0 - 15.0 Nm	405			•	•	•	•	•
EC-i 40, 70 W	274-275					50.5	50.5	50.5	50.5	50.5
EC-i 40, 70 W	274	GP 32, 1.0 - 6.0 Nm	398			•	•	•	•	•
EC-i 40, 70 W	274	GP 32 S	426-433			•	•	•	•	•
EC-i 40, 70 W	274-275	GP 42, 3.0 - 15.0 Nm	405			•	•	•	•	•
EC-i 40, 100 W	276					70.5	70.5	70.5	70.5	70.5
EC-i 40, 100 W	276	GP 42, 3.0 - 15.0 Nm	405			•	•	•	•	•
EC-i 40, 130 W	277					105.3	105.3	105.3	105.3	105.3
EC-i 40, 130 W	277	GP 42, 3.0 - 15.0 Nm	405			•	•	•	•	•
EC-i 52, 180 W	278					96.5	96.5	96.5	96.5	96.5
EC-i 52, 180 W	278	GP 52, 4.0 - 30.0 Nm	410			•	•	•	•	•
EC-i 52, 200 W	279					126.5	126.5	126.5	126.5	126.5
EC-i 52, 200 W	279	GP 52, 4.0 - 30.0 Nm	410			•	•	•	•	•
EC-i 52, 250 W	280					96.5	96.5	96.5	96.5	96.5
EC-i 52, 420 W	281					96.5	96.5	96.5	96.5	96.5

Technical Data	
Supply voltage V_{CC}	5 V \pm 10%
Typical current draw	50 mA
Output signal	EIA Standard RS 422
Operating temperature range	-40...+100°C
Moment of inertia of code wheel	\leq 1.2 gcm ²
Output current per channel	\pm 20 mA
Min. state duration s	40 ns
Signal rise and fall times (typically, at $C_L = 200$ pF, $R_L = 100$ Ω)	5 ns



The index signal I is synchronized with channel A or B.

Opt. terminal resistance R = typical 120 Ω