

1. Mechanical mounting

All Thrusters will be delivered without mounting equipment. The Thrusters can be mount on the housing. This allows various opportunities to mount the Thruster.

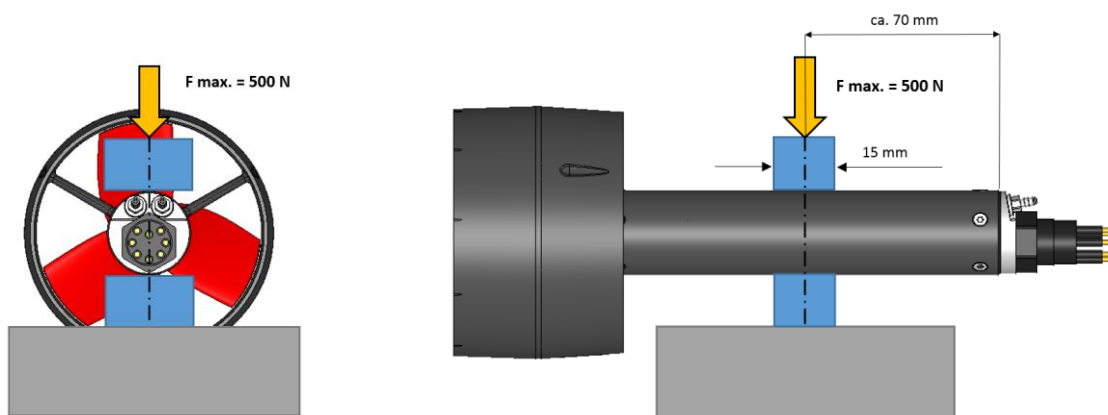
1.1. Assembly parameter

The tube is made of POM and has a high strength. POM is weatherproof and aging-resistant, making it ideal material for use in maritime environments.

In order to avoid damaging the tube during assembly, the clamping forces and surface pressure on the tube are carefully adjusted to prevent the outer diameter from exceeding 3% deformation.

An elastomer pad significantly increases the static friction throughout the assembly, leading to a reduced clamping force.

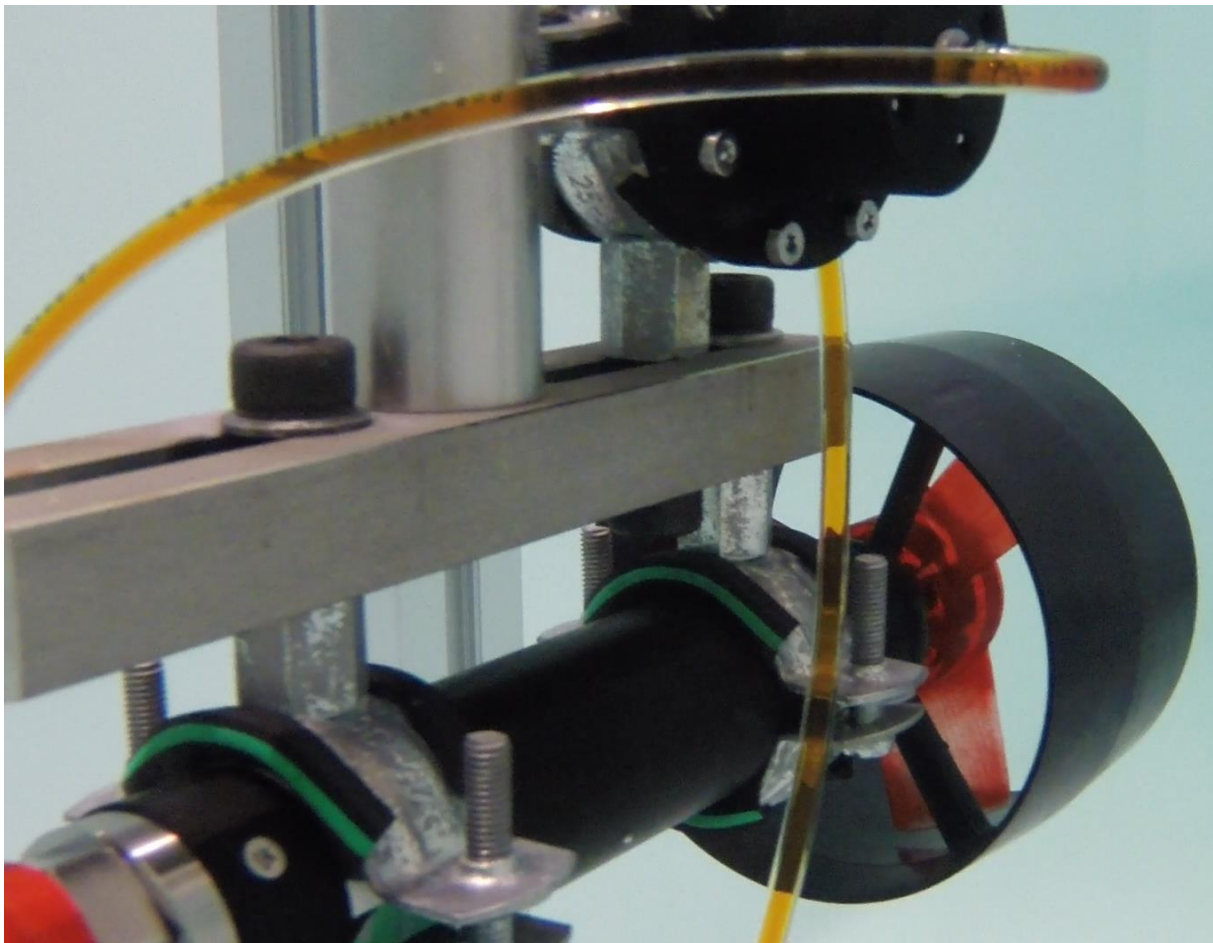
The following graphics show the allowable clamping force for the MT30 with respect to the given assembly parameters:



1.2 Mounting with a pipe clamp



Example: Mounting MT30



1.3 Mounting with hose clamp

Bolt clamps



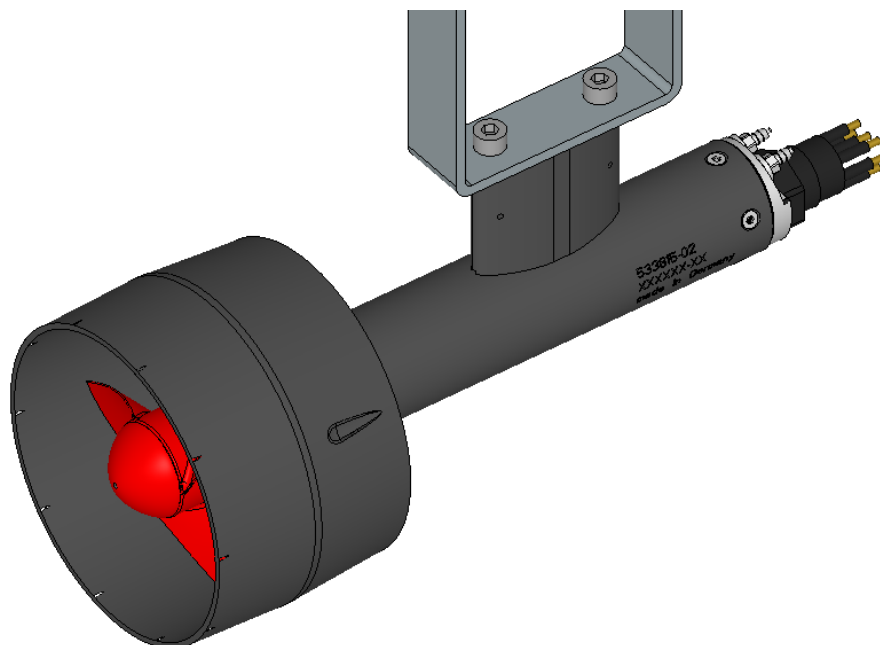
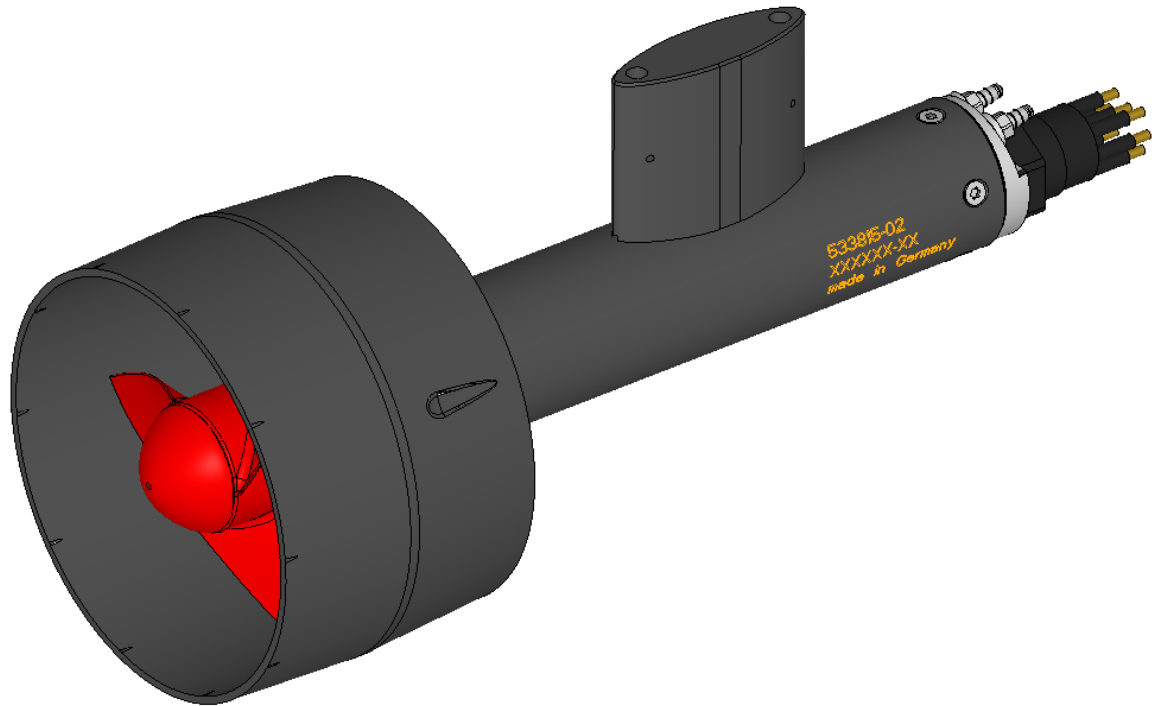
Hose clamp tape



2. Special solutions

We offer various customer specific mounting solutions:

A welded mounting flange can be mounted on the customer application via two M5 thread holes.



Further opportunities

