

LSC 4-Q-DC Servoamplifier



The LSC 30/2 (Linear Servo Controller) is a linear 4-quadrant Servo-amplifier used to control permanent magnet activated DC motors up to approx. 50 watts.

4-Q operation

Controlled operation for acceleration and braking in both directions.

Linear power stage

Ideally suited for small outputs power, low electromagnetic emission, no motor choke required.

Operating modes

IxR compensation, voltage control, encoder speed control, DC tacho speed control or current control selectable with a switch from outside.

Design

Robust metal housing with variable installation options on assembly plate or 19" rack.

Set value input

Via external potentiometer, external set value voltage or using internal potentiometer.

Easy start-up procedure

Pluggable screw type terminal block, simple set-up with potentiometer, robust designed PI controller.

Excellent price / performance ratio

Good value 4-Q-DC servoamplifier matched with small permanent magnet activated DC motors.

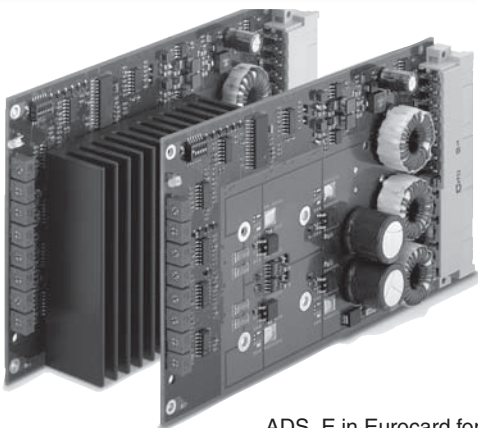
Technical data page 282

Dimensions and connections page 284

ADS 4-Q-DC Servoamplifier



ADS in module housing



ADS_E in Eurocard format

The ADS (Analog DC Servoamplifier) is a powerful pulse-width modulated (PWM) servoamplifier for controlling permanent magnet activated DC motors. Standard Version from 10 - 250 watts and Power Version from 80 - 500 watts output power. Available in robust metallic housing and as Eurocard version for installation into a 19" rack.

Technical data page 282 / 283

Dimensions and connections page 284

Pulsed power stage

Suitable for controlling low and high output power. 95% efficiency thanks to state-of-the-art MOSFET technology.

Operating modes

IxR compensation, encoder speed control, DC tacho speed control or current control selectable with a switch from outside.

Design versions

Robust metal housing in module form offers several mounting options. Standardized Eurocard version (with accessories) for the installation in a 19"-Rack or in a plug-in card system.

Excellent control characteristics

Stable speed behaviour when set value and disturbance variable change, fast current controller.

Protection circuit

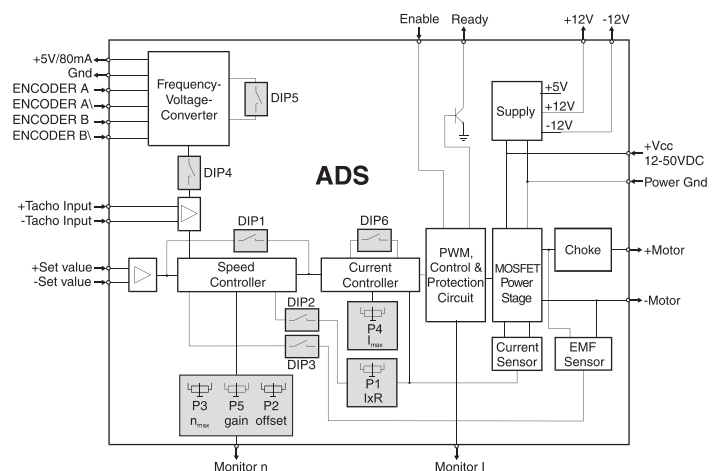
Protected against overcurrent, thermal overload and short-circuit of motor cable.

Set value input

External potentiometer or external set value voltage.

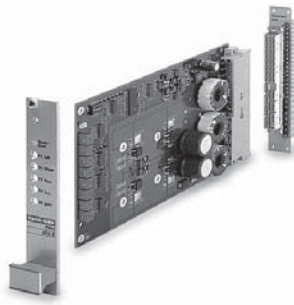
Excellent price / performance ratio

Modern servoamplifier with many technical features, suitable for permanent magnet activated DC motors up to 500 watts.

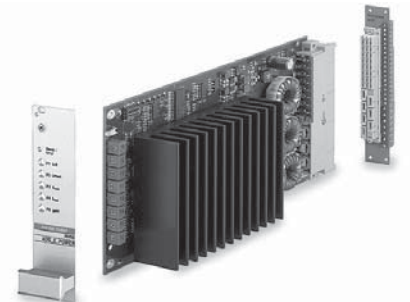




ADS 50/10 4-Q-DC Servoamplifier
Powerful PWM servoamplifier for permanent magnet activated DC motors from 80 to approx. 500 watts output power. Available as Power Version in module housing.



ADS_E 50/5 4-Q-DC Servoamplifier
Powerful PWM servoamplifier for permanent magnet activated DC motors from 10 to approx. 250 watts output power. Available as Standard Version in racket card (Eurocard) format.



ADS_E 50/10 4-Q-DC Servoamplifier
Powerful PWM servoamplifier for permanent magnet activated DC motors from 80 to approx. 500 watts output power. Available as Power Version in racket card (Eurocard) format.

Operating modes		
IxR compensation, encoder speed control, DC tachometer speed control, current control	IxR compensation, encoder speed control, DC tachometer speed control, current control	IxR compensation, encoder speed control, DC tachometer speed control, current control
Electrical Data		
12 - 50 VDC	12 - 50 VDC	12 - 50 VDC
0.9 x V _{CC}	0.9 x V _{CC}	0.9 x V _{CC}
20 A	10 A	20 A
10 A	5 A	10 A
50 kHz	50 kHz	50 kHz
95 %	95 %	95 %
75 µH / 10 A	150 µH / 5 A	75 µH / 10 A
Input		
-10 ... +10 V	-10 ... +10 V	-10 ... +10 V
«Enable»	«Enable»	«Enable»
+4 ... 50 V	+4 ... 50 V	+4 ... 50 V
min. 2 VDC, max. 50 VDC	min. 2 VDC, max. 50 VDC	min. 2 VDC, max. 50 VDC
Channel A, A\, B, B\, max. 100 kHz, TTL	Channel A, A\, B, B\, max. 100 kHz, TTL	Channel A, A\, B, B\, max. 100 kHz, TTL
Output		
Open Collector, max. 30 VDC (I _L < 20 mA)	Open Collector max. 30 VDC (I _L < 20 mA)	Open Collector max. 30 VDC (I _L < 20 mA)
-10 ... +10 VDC (short circuit protected)	-10 ... +10 VDC (short circuit protected)	-10 ... +10 VDC (short circuit protected)
-10 ... +10 VDC (short circuit protected)	-10 ... +10 VDC (short circuit protected)	-10 ... +10 VDC (short circuit protected)
Voltage outputs		
+/-12 VDC, max. 12 mA (short circuit protected)	+/-12 VDC, max. 12 mA (short circuit protected)	+/-12 VDC, max. 12 mA (short circuit protected)
+5 VDC, max. 80 mA	+5 VDC, max. 80 mA	+5 VDC, max. 80 mA
IxR compensation, Offset, n _{max} , I _{max} , gain	IxR compensation, Offset, n _{max} , I _{max} , gain	IxR compensation, Offset, n _{max} , I _{max} , gain
Protected against thermal overload, overcurrent and short-circuit of motor cables	Protected against thermal overload, overcurrent and short-circuit of motor cables	Protected against thermal overload, overcurrent and short-circuit of motor cables
Bi-colour LED, green = READY, red = ERROR	Bi-colour LED, green = READY, red = ERROR	Bi-colour LED, green = READY, red = ERROR
Ambient temperature and humidity range		
-10 ... +45°C	-10 ... +45°C	-10 ... +45°C
-40 ... +85°C	-40 ... +85°C	-40 ... +85°C
20 ... 80 %	20 ... 80 %	20 ... 80 %
Mechanical Data		
Approx. 400 g	Approx. 175 g	Approx. 410 g
180 x 103 x 26 mm (see page 284)	160 x 100 x 16 mm (see page 284)	160 x 100 x 30.5 mm (see page 284)
Flange for M4-screws	Rack-Installation	Rack-Installation
See page 284	See page 284	See page 284
Order Number		
201583 ADS 50/10 4-Q-DC Servoamplifier Power Version in module housing	166143 ADS_E 50/5 4-Q-DC Servoamplifier Standard Version in Eurocard format	168049 ADS_E 50/10 4-Q-DC Servoamplifier Power Version in Eurocard format
Accessories		
235811 DSR 70/30 Shunt regulator	167850 Front panel 3HE, 5TE 166873 Backplane with screw type terminal block	168910 Front panel 3HE, 7TE 166873 Backplane with screw type terminal block