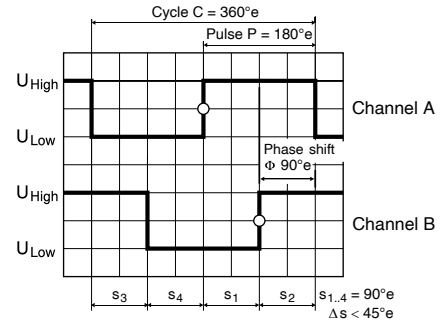


Encoder 8 OPT 50 CPT, 2 channels



Direction of rotation cw (definition cw p. 78)

- Stock program
- Standard program
- Special program (on request)

Part Numbers

473594

Type (provisional)	
Counts per turn	50
Number of channels	2
Max. operating frequency (kHz)	15
Max. speed (rpm)	18000



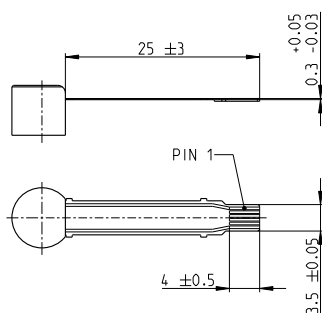
maxon Modular System

+ Motor	Page	+ Gearhead	Page	∅ Enc [mm]	Overall length [mm] / • see Gearhead
RE 8, 0.5 W, A	118			8	24.2
RE 8, 0.5 W, A	118	GP 8, 0.01 - 0.1 Nm	369	8	•
RE 8, 0.5 W, A	118	GP 8 S	419-420	8	•

Technical Data

Supply voltage V_{CC}^1	2.6 - 3.0 V
Typical current draw	12 mA
Phase shift ϕ	$90^\circ e \pm 45^\circ e$
Operating temperature range	-20...+85 °C
Moment of inertia of code wheel	$\leq 0.001 \text{ gcm}^2$
Output current per channel	min. -1 mA, max. 8 mA

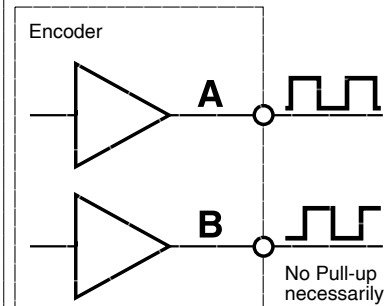
Pin Allocation



Compatible connector:
Molex 52745-0697

- 1 Motor +
- 2 V_{CC}
- 3 Channel A
- 4 Channel B
- 5 GND
- 6 Motor -

Connection example



¹Not in combination with maxon controllers.