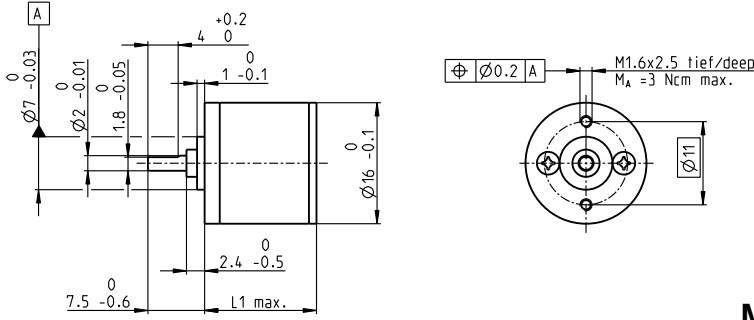


# Spur Gearhead GS 16 K $\varnothing 16$ mm, 0.01–0.03 Nm

Plastic Version



Technical Data	
Spur Gearhead	straight teeth
Output shaft	stainless steel, hardened
Bearing at output	sleeve bearing
Radial play, 6.5 mm from flange	max. 0.15 mm
Axial play	0.02–0.12 mm
Max. axial load (dynamic)	2 N
Max. force for press fits	15 N
Max. continuous input speed	8000 rpm
Recommended temperature range	-15...+80°C
Max. radial load, 6.5 mm from flange	1 N

gear

M 1:1

	Part Numbers						
	201463	201465	201467	201469	201471	201473	
<b>Gearhead Data</b>							
1 Reduction	6.4:1	22:1	76:1	261:1	900:1	3101:1	
2 Absolute reduction	$\frac{403}{63}$	$\frac{12493}{567}$	$\frac{387283}{5103}$	$\frac{12005773}{45927}$	$\frac{372178963}{413343}$	$\frac{11537547853}{3720087}$	
3 Max. motor shaft diameter mm	1.5	1.5	1.5	1.5	1.5	1.5	
<b>Part Numbers</b>	<b>207405</b>	<b>207406</b>	<b>207407</b>	<b>207408</b>	<b>207409</b>	<b>207410</b>	
1 Reduction	9.1:1	31:1	108:1	371:1	1278:1	4402:1	
2 Absolute reduction	$\frac{899}{99}$	$\frac{27869}{491}$	$\frac{863939}{6019}$	$\frac{26782109}{72171}$	$\frac{830245379}{649539}$	$\frac{25737606749}{5845851}$	
3 Max. motor shaft diameter mm	1.5	1.5	1.5	1.5	1.5	1.5	
<b>Part Numbers</b>	<b>201464</b>	<b>201466</b>	<b>201468</b>	<b>201470</b>	<b>201472</b>	<b>201474</b>	
1 Reduction	12:1	41:1	141:1	485:1	1670:1	5752:1	
2 Absolute reduction	$\frac{961}{81}$	$\frac{29791}{729}$	$\frac{923521}{6561}$	$\frac{28629151}{69049}$	$\frac{887503681}{531441}$	$\frac{27512614111}{4782969}$	
3 Max. motor shaft diameter mm	1	1	1	1	1	1	
4 Number of stages	2	3	4	5	6	7	
5 Max. continuous torque Nm	0.010	0.020	0.030	0.030	0.030	0.030	
6 Max. intermittent torque at gear output Nm	0.10	0.10	0.10	0.10	0.10	0.10	
12 Direction of rotation, drive to output	=	≠	=	≠	=	≠	
7 Max. efficiency %	81	73	66	59	53	48	
8 Weight g	9.0	9.8	10.2	10.7	11.3	11.7	
9 Average backlash no load °	1.0	1.0	1.2	1.2	1.5	1.5	
10 Mass inertia gcm <sup>2</sup>	0.0032	0.0031	0.0031	0.0031	0.0031	0.0031	
11 Gearhead length L1 mm	11.8	12.8	14.8	16.8	18.8	20.8	



maxon Modular System					
+ Motor	Page	+ Sensor/Brake	Page	Overall length [mm] = Motor length + gearhead length + (sensor/brake) + assembly parts	
A-max 16	159-162			37.3	38.3 40.3 42.3 44.3 46.3
A-max 16	160/162	MR	475/476	42.3	43.3 45.3 47.3 49.3 51.3