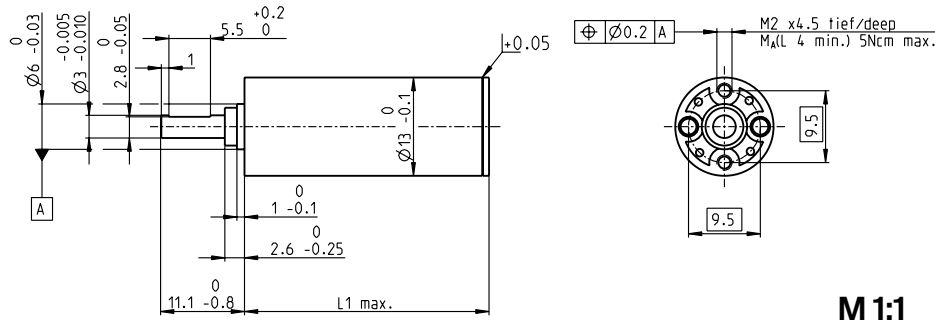


Planetary Gearhead GP 13 K $\varnothing 13$ mm, 0.05–0.15 Nm

Plastic Version



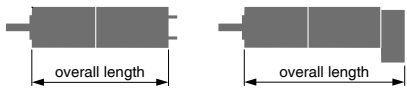
Technical Data	
Planetary Gearhead	straight teeth
Housing, planetary wheels	plastic
Output shaft	stainless steel, hardened
Bearing at output	sleeve bearing
Radial play, 6 mm from flange	max. 0.12 mm
Axial play	0.02–0.10 mm
Max. axial load (dynamic)	5 N
Max. force for press fits	100 N
Direction of rotation, drive to output	=
Max. continuous input speed	8000 rpm
Recommended temperature range	-15...+80°C
Number of stages	1 2 3 4 5
Max. radial load, 6 mm from flange	2 N 3 N 4 N 5 N 5 N

gear

- Stock program
- Standard program
- Special program (on request)

Part Numbers

Gearhead Data	Part Numbers				
	137149	137150	137151	137152	137153
1 Reduction	4.1:1	17:1	67:1	275:1	1119:1
2 Absolute reduction	$\frac{57}{14}$	$\frac{3249}{196}$	$\frac{185193}{2744}$	$\frac{10556001}{38416}$	$\frac{601692057}{537824}$
3 Max. motor shaft diameter	mm 1.5	1.	1.5	1.5	1.5
4 Number of stages	1	2	3	4	5
5 Max. continuous torque	Nm 0.050	0.075	0.100	0.125	0.150
6 Max. intermittent torque at gear output	Nm 0.050	0.075	0.100	0.125	0.150
7 Max. efficiency	% 85	70	60	50	45
8 Weight	g 5.9	6.5	7.0	7.5	8.0
9 Average backlash no load	° 1.8	2.0	2.2	2.5	2.8
10 Mass inertia	gcm ² 0.025	0.009	0.008	0.008	0.008
11 Gearhead length L1	mm 15.5	21.4	25.1	28.8	32.5



maxon Modular System				
+ Motor	Page	+ Sensor/Brake	Page	Overall length [mm] = Motor length + gearhead length + (sensor/brake) + assembly parts
RE 13	124/126			34.8 40.7 44.4 48.1 51.8
RE 13, 0.75 W	126	MR	472-474	41.9 47.8 51.5 55.2 58.9
RE 13	128/130			47.0 52.9 56.6 60.3 64.0
RE 13, 2 W	130	MR	472-474	54.1 60.0 63.7 67.4 71.1
RE 13, 1.5 W	132/134			37.9 43.8 47.5 51.2 54.9
RE 13, 1.5 W	134	MR	472-474	44.0 49.9 53.6 57.3 61.0
RE 13, 3 W	136/138			50.1 56.0 59.7 63.4 67.1
RE 13, 3 W	138	MR	472-474	56.2 62.1 65.8 69.5 73.2
A-max 12	157/158			36.8 42.7 46.4 50.1 53.8
A-max 12, 0.5 W	158	MR	472-474	40.7 46.6 50.3 54.0 57.7