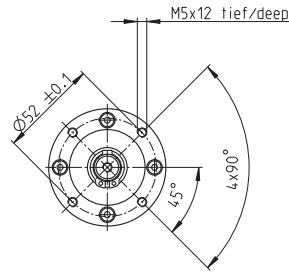
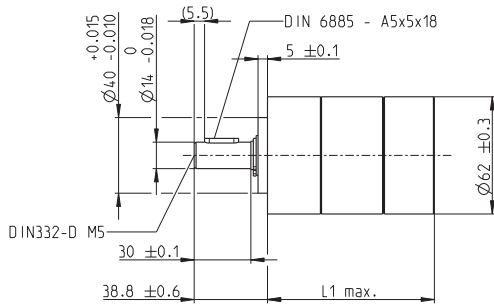


# Planetary Gearhead GP 62 A Ø62 mm, 6.2–38.5 Nm



M1:4

## Technical Data

Planetary Gearhead	straight teeth
Output shaft	steel
Bearing at output	ball bearing
Radial play, 7 mm from flange	max. 0.08 mm
Axial play	max. 1.28 mm
Max. force for press fits	1000 N
Direction of rotation, drive to output	=
Max. continuous input speed	3000 rpm
Recommended temperature range	-30...+120°C
Number of stages	1 2 3
Max. radial load, 24 mm from flange	240 N 360 N 520 N
Max. axial load (dynamic)	70 N 100 N 150 N

gear

- Stock program
- Standard program
- Special program (on request)

## Part Numbers

Gearhead Data	Part Numbers									
	701923	701924	701925	701926	701927	701928	701929	701930	701931	
1 Reduction	5.2:1	19:1	27:1	35:1	71:1	100:1	139:1	181:1	236:1	
2 Absolute reduction	57/11	3591/187	3249/121	1539/44	226223/3179	204687/2057	185193/1331	87723/484	41553/176	
3 Max. motor shaft diameter	mm 8	8	8	8	8	8	8	8	8	
4 Number of stages	1	2	2	2	3	3	3	3	3	
5 Max. continuous torque	Nm 6.2	19.2	19.2	19.2	38.5	38.5	38.5	38.5	38.5	
6 Max. intermittent torque at gear output	Nm 9.2	28.5	28.5	28.5	57.7	57.7	57.7	57.7	57.7	
7 Max. efficiency	% 80	75	75	75	70	70	70	70	70	
8 Weight	g 848	1167	1167	1167	1472	1472	1472	1472	1472	
9 Average backlash no load	° 0.65	0.7	0.7	0.7	0.75	0.75	0.75	0.75	0.75	
10 Mass inertia	gcm <sup>2</sup> 46.34	44.73	44.23	40.06	44.61	44.17	44.15	40.02	39.92	
11 Gearhead length L1	mm 71.9	88.8	88.8	88.8	105.8	105.8	105.8	105.8	105.8	



## maxon Modular System

+ Motor	Page	+ Sensor	Page	Brake	Page	Overall length [mm] = Motor length + gearhead length + (sensor/brake) + assembly parts							
RE 50, 200 W	142				180.0	196.9	196.9	196.9	213.9	213.9	213.9	213.9	213.9
RE 50, 200 W	142	HEDS 5540	472		200.7	217.6	217.6	217.6	234.6	234.6	234.6	234.6	234.6
RE 50, 200 W	142	HEDL 5540	474		200.7	217.6	217.6	217.6	234.6	234.6	234.6	234.6	234.6
RE 50, 200 W	142	HEDL 9140	479		242.4	259.3	259.3	259.3	276.3	276.3	276.3	276.3	280.3
RE 50, 200 W	142			AB 44	524	242.4	259.3	259.3	259.3	276.3	276.3	276.3	276.3
RE 50, 200 W	142	HEDL 9140	479	AB 44	524	255.4	272.3	272.3	272.3	289.3	289.3	289.3	289.3
EC 45, 250 W	231				216.0	232.9	232.9	232.9	249.9	249.9	249.9	249.9	249.9
EC 45, 250 W	231	HEDL 9140	478		231.6	248.5	248.5	248.5	265.5	265.5	265.5	265.5	265.5
EC 45, 250 W	231	Res 26	481		216.0	232.9	232.9	232.9	249.9	249.9	249.9	249.9	249.9
EC 45, 250 W	231			AB 28	520	223.4	240.3	240.3	240.3	257.3	257.3	257.3	257.3
EC 45, 250 W	231	HEDL 9140	478	AB 28	520	240.4	257.3	257.3	274.3	274.3	274.3	274.3	274.3