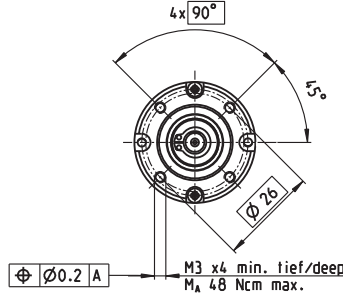
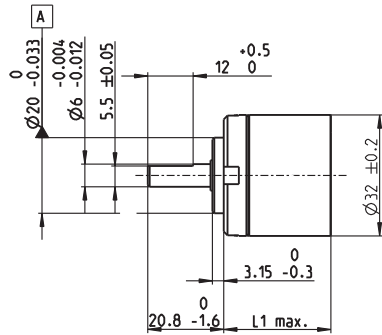


Réducteur planétaire GP 32 BZ Ø32 mm, 0.75–4.5 Nm

Faible jeu



Données techniques

| | |
|--|--------------------------|
| Réducteur planétaire | taille droite |
| Arbre de sortie | acier inoxydable, trempé |
| Palier de sortie | roulements à billes |
| Jeu radial à 5 mm du flasque | max. 0.1 mm |
| Jeu axial | max. 0.7 mm |
| Charge axiale max. | 120 N |
| Force de chassage max. | 120 N |
| Sens de rotation entrée/sortie | = |
| Vitesse d'entrée permanente max. | 4000 tr/min |
| Plage de température conseillée | -40...+100°C |
| Nombre d'étages | 1 2 3 |
| Charge radiale max. à 12 mm du flasque | 70 N 110 N 130 N |

gear

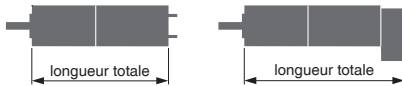
M 1:2

- Programme Stock
- Programme Standard
- Programme Spécial (sur demande)

Numéros d'article

| | 358975 | 351942 | 358331 | 357988 | 358335 | 358385 | 358512 | 358513 | 358515 | 358516 |
|---|-----------------------|-----------------|--------------------|--------------------|-------------------|-----------------------|-----------------------|-----------------------|---------------------|---------------------|
| Données sur les réducteurs | | | | | | | | | | |
| 1 Rapport de réduction | 3.7:1 | 5.2:1 | 19:1 | 27:1 | 35:1 | 71:1 | 100:1 | 139:1 | 181:1 | 236:1 |
| 2 Rapport de réduction exact | $\frac{63}{17}$ | $\frac{57}{11}$ | $\frac{3591}{187}$ | $\frac{3249}{121}$ | $\frac{1539}{44}$ | $\frac{226233}{3179}$ | $\frac{204687}{2057}$ | $\frac{185193}{1331}$ | $\frac{87723}{484}$ | $\frac{41553}{176}$ |
| 3 Diamètre max. de l'arbre du moteur | mm 5.5 | 3 | 3 | 3 | 3 | 3 | 3 | 3 | 3 | 3 |
| 4 Nombre d'étages | 1 | 1 | 2 | 2 | 2 | 3 | 3 | 3 | 3 | 3 |
| 5 Couple permanent max. | Nm 0.75 | 0.75 | 2.25 | 2.25 | 2.25 | 4.5 | 4.5 | 4.5 | 4.5 | 4.5 |
| Couple permanent max. en l'espace de la précontrainte | Nm 0.5 | 0.5 | 1.1 | 1.1 | 1.1 | 1.7 | 1.7 | 1.7 | 1.7 | 1.7 |
| 6 Couple intermittent max. admissible | Nm 1.1 | 1.1 | 3.2 | 3.2 | 3.2 | 6.2 | 6.2 | 6.2 | 6.2 | 6.2 |
| 7 Rendement max. | % 85 | 85 | 80 | 80 | 80 | 70 | 70 | 70 | 70 | 70 |
| 8 Poids | g 150 | 150 | 190 | 190 | 190 | 240 | 240 | 240 | 240 | 240 |
| 9 Jeu moyen à vide | ° 0.15 | 0.15 | 0.35 | 0.35 | 0.35 | 0.5 | 0.5 | 0.5 | 0.5 | 0.5 |
| 10 Moment d'inertie | gcm ² 1.25 | 1.25 | 0.75 | 0.75 | 0.75 | 0.7 | 0.7 | 0.7 | 0.7 | 0.7 |
| 11 Longueur du réducteur L1* | mm 33.5 | 33.5 | 43.6 | 43.6 | 43.6 | 53.1 | 53.1 | 53.1 | 53.1 | 53.1 |

*pour EC 32 est L1 + 6.4 mm, pour RE 30 est L1 + 1.0 mm



Construction modulaire maxon

| + Moteur | Page | + Sensor/frein | Page | Longueur totale [mm] = longueur du moteur + longueur du réducteur + (sensor/frein) + pièces de montage | | | | | | | | | | |
|-------------|---------|-----------------|---------|--|-------|-------|-------|-------|-------|-------|-------|-------|-------|--|
| RE 25 | 134/136 | | | 88.1 | 88.1 | 98.2 | 98.2 | 98.2 | 107.7 | 107.7 | 107.7 | 107.7 | 107.7 | |
| RE 25 | 134/136 | MR | 463 | 99.1 | 99.1 | 109.2 | 109.2 | 109.2 | 118.7 | 118.7 | 118.7 | 118.7 | 118.7 | |
| RE 25 | 134/136 | Enc 22 | 468 | 102.2 | 102.2 | 112.3 | 112.3 | 112.3 | 121.8 | 121.8 | 121.8 | 121.8 | 121.8 | |
| RE 25 | 134/136 | HED_ 5540 | 471/473 | 108.9 | 108.9 | 119.0 | 119.0 | 119.0 | 128.5 | 128.5 | 128.5 | 128.5 | 128.5 | |
| RE 25 | 134/136 | DCT 22 | 480 | 110.4 | 110.4 | 120.5 | 120.5 | 120.5 | 130.0 | 130.0 | 130.0 | 130.0 | 130.0 | |
| RE 25, 20 W | 135 | | | 76.6 | 76.6 | 86.7 | 86.7 | 86.7 | 96.2 | 96.2 | 96.2 | 96.2 | 96.2 | |
| RE 25, 20 W | 135 | MR | 463 | 87.6 | 87.6 | 97.7 | 97.7 | 97.7 | 107.2 | 107.2 | 107.2 | 107.2 | 107.2 | |
| RE 25, 20 W | 135 | HED_ 5540 | 472/473 | 97.4 | 97.4 | 107.5 | 107.5 | 107.5 | 117.0 | 117.0 | 117.0 | 117.0 | 117.0 | |
| RE 25, 20 W | 135 | DCT 22 | 480 | 98.9 | 98.9 | 109.0 | 109.0 | 109.0 | 118.5 | 118.5 | 118.5 | 118.5 | 118.5 | |
| RE 25, 20 W | 135 | AB 28 | 519 | 110.7 | 110.7 | 120.8 | 120.8 | 120.8 | 130.3 | 130.3 | 130.3 | 130.3 | 130.3 | |
| RE 25, 20 W | 135 | HED_ 5540/AB 28 | 472/519 | 127.9 | 127.9 | 138.0 | 138.0 | 138.0 | 147.5 | 147.5 | 147.5 | 147.5 | 147.5 | |
| RE 25, 20 W | 136 | AB 28 | 519 | 122.2 | 122.2 | 132.3 | 132.3 | 132.3 | 141.8 | 141.8 | 141.8 | 141.8 | 141.8 | |
| RE 25, 20 W | 136 | HED_ 5540/AB 28 | 471/519 | 139.4 | 139.4 | 149.5 | 149.5 | 149.5 | 159.0 | 159.0 | 159.0 | 159.0 | 159.0 | |
| RE 30, 60 W | 138 | | | 102.6 | 102.6 | 112.7 | 112.7 | 112.7 | 122.2 | 122.2 | 122.2 | 122.2 | 122.2 | |
| RE 30, 60 W | 138 | MR | 464 | 114.0 | 114.0 | 124.1 | 124.1 | 124.1 | 133.6 | 133.6 | 133.6 | 133.6 | 133.6 | |
| RE 30, 60 W | 138 | HED_ 5540 | 471/473 | 123.4 | 123.4 | 133.5 | 133.5 | 133.5 | 143.0 | 143.0 | 143.0 | 143.0 | 143.0 | |
| RE 35, 90 W | 139 | | | 104.6 | 104.6 | 114.7 | 114.7 | 114.7 | 124.2 | 124.2 | 124.2 | 124.2 | 124.2 | |
| RE 35, 90 W | 139 | MR | 464 | 116.0 | 116.0 | 126.1 | 126.1 | 126.1 | 135.6 | 135.6 | 135.6 | 135.6 | 135.6 | |
| RE 35, 90 W | 139 | HED_ 5540 | 471/473 | 125.3 | 125.3 | 135.4 | 135.4 | 135.4 | 144.9 | 144.9 | 144.9 | 144.9 | 144.9 | |
| RE 35, 90 W | 139 | DCT 22 | 480 | 122.7 | 122.7 | 132.8 | 132.8 | 132.8 | 142.3 | 142.3 | 142.3 | 142.3 | 142.3 | |
| RE 35, 90 W | 139 | AB 28 | 519 | 140.7 | 140.7 | 150.8 | 150.8 | 150.8 | 160.3 | 160.3 | 160.3 | 160.3 | 160.3 | |
| RE 35, 90 W | 139 | HEDS 5540/AB 28 | 471/519 | 157.9 | 157.9 | 168.0 | 168.0 | 168.0 | 177.5 | 177.5 | 177.5 | 177.5 | 177.5 | |
| A-max 26 | 161-164 | | | 78.3 | 78.3 | 88.4 | 88.4 | 88.4 | 97.9 | 97.9 | 97.9 | 97.9 | 97.9 | |
| A-max 26 | 161-164 | MR | 463 | 87.1 | 87.1 | 97.2 | 97.2 | 97.2 | 106.7 | 106.7 | 106.7 | 106.7 | 106.7 | |
| A-max 26 | 161-164 | Enc 22 | 468 | 92.7 | 92.7 | 102.8 | 102.8 | 102.8 | 112.3 | 112.3 | 112.3 | 112.3 | 112.3 | |
| A-max 26 | 161-164 | HED_ 5540 | 472/474 | 96.7 | 96.7 | 106.8 | 106.8 | 106.8 | 116.3 | 116.3 | 116.3 | 116.3 | 116.3 | |
| A-max 32 | 165 | | | 96.5 | 96.5 | 106.6 | 106.6 | 106.6 | 116.1 | 116.1 | 116.1 | 116.1 | 116.1 | |
| A-max 32 | 166 | | | 95.1 | 95.1 | 105.2 | 105.2 | 105.2 | 114.7 | 114.7 | 114.7 | 114.7 | 114.7 | |
| A-max 32 | 166 | MR | 464 | 106.3 | 106.3 | 116.4 | 116.4 | 116.4 | 125.9 | 125.9 | 125.9 | 125.9 | 125.9 | |
| A-max 32 | 166 | HED_ 5540 | 472/473 | 115.9 | 115.9 | 126.0 | 126.0 | 126.0 | 135.5 | 135.5 | 135.5 | 135.5 | 135.5 | |
| EC 32, 80 W | 228 | | | 100.2 | 100.2 | 110.3 | 110.3 | 110.3 | 119.8 | 119.8 | 119.8 | 119.8 | 119.8 | |
| EC 32, 80 W | 228 | HED_ 5540 | 472/475 | 118.6 | 118.6 | 128.7 | 128.7 | 128.7 | 138.2 | 138.2 | 138.2 | 138.2 | 138.2 | |
| EC 32, 80 W | 228 | Res 26 | 481 | 120.3 | 120.3 | 130.4 | 130.4 | 130.4 | 139.9 | 139.9 | 139.9 | 139.9 | 139.9 | |